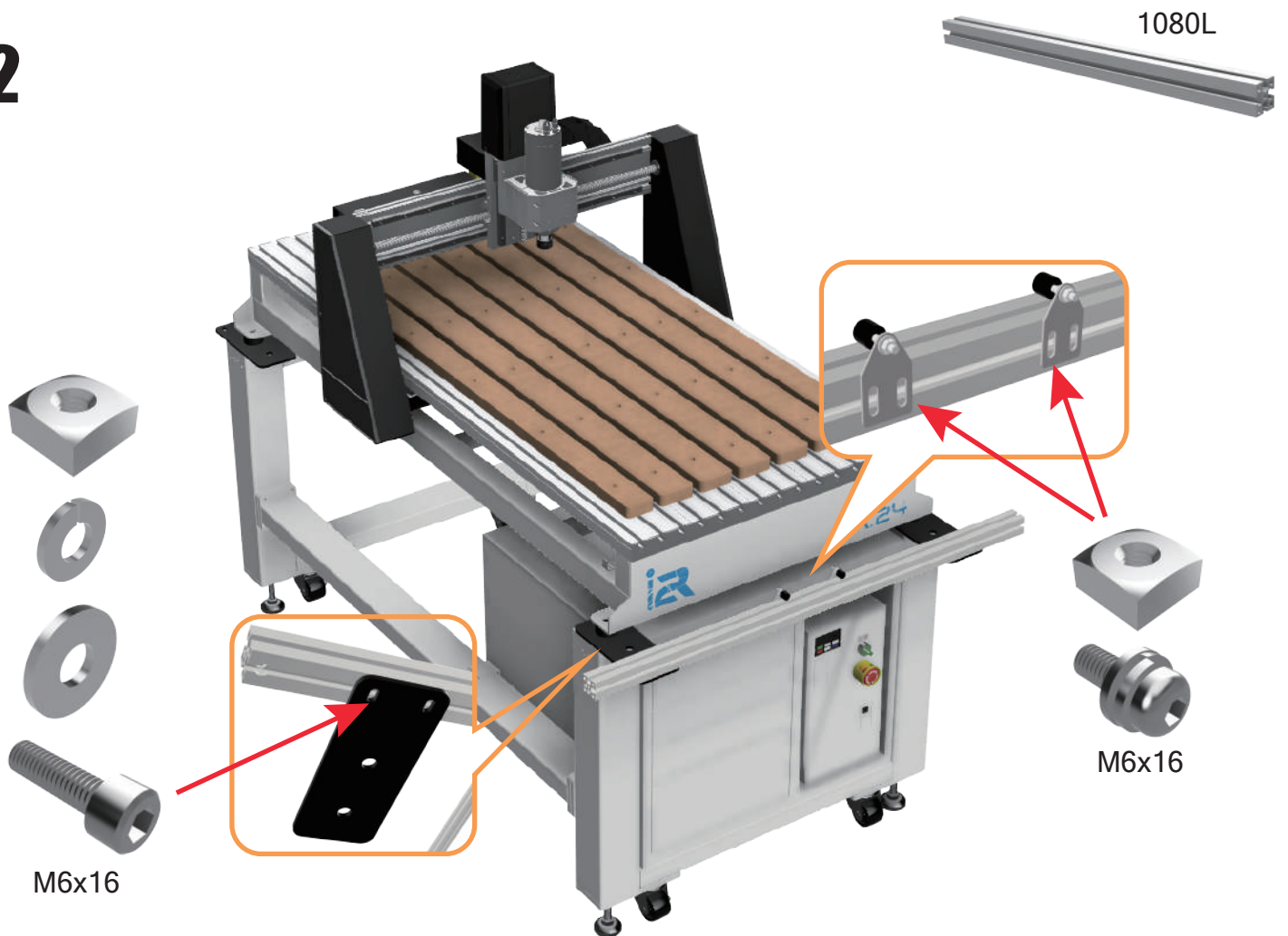


1



2

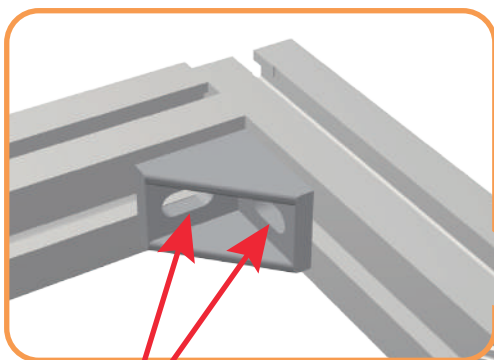


3

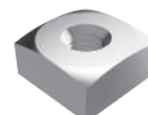


4

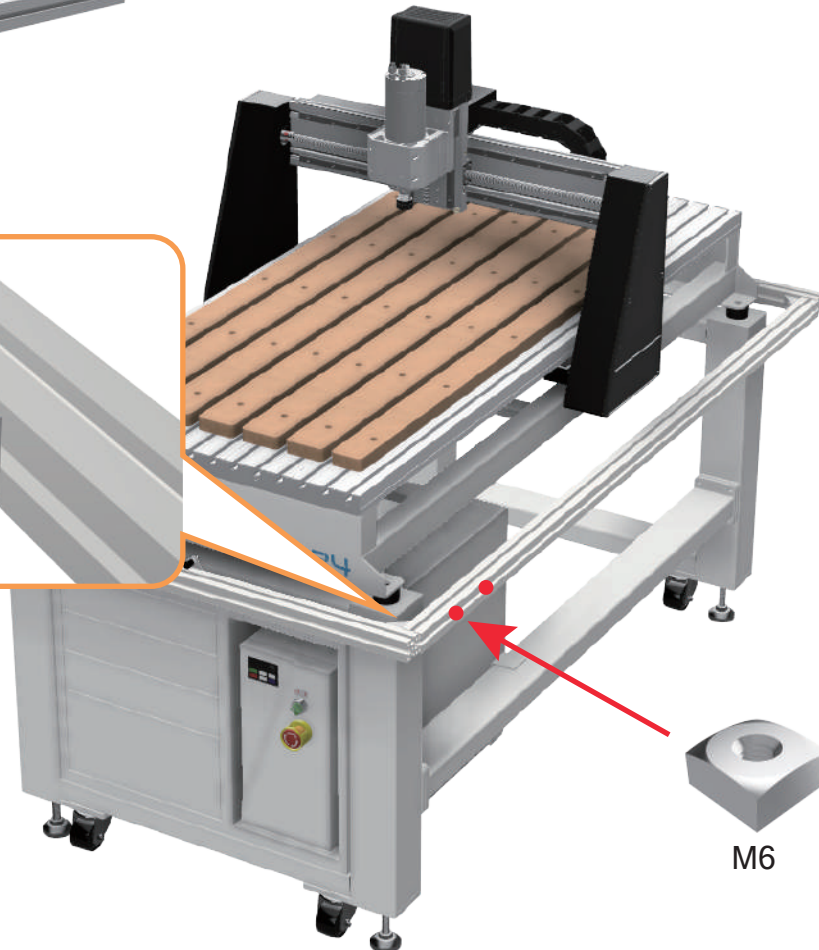
1715L



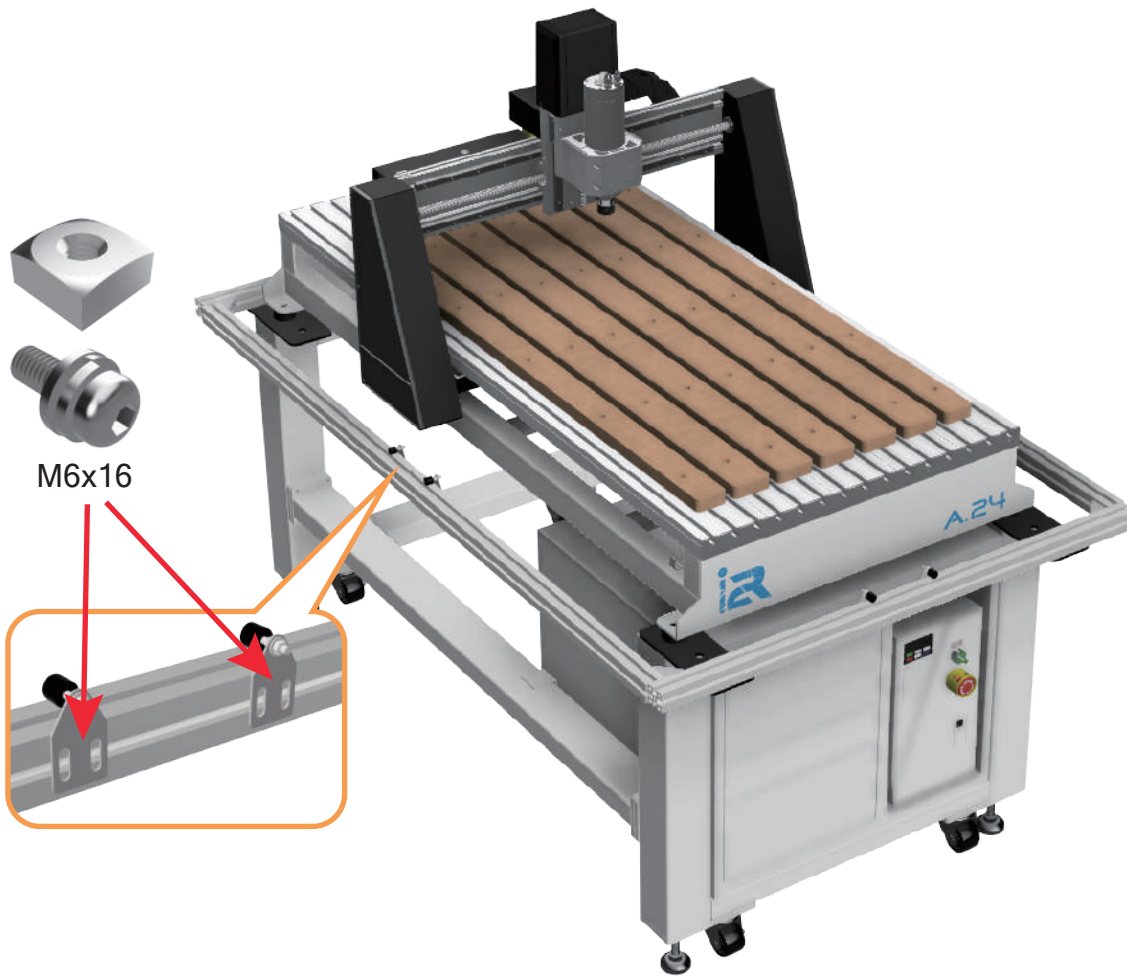
M6x20



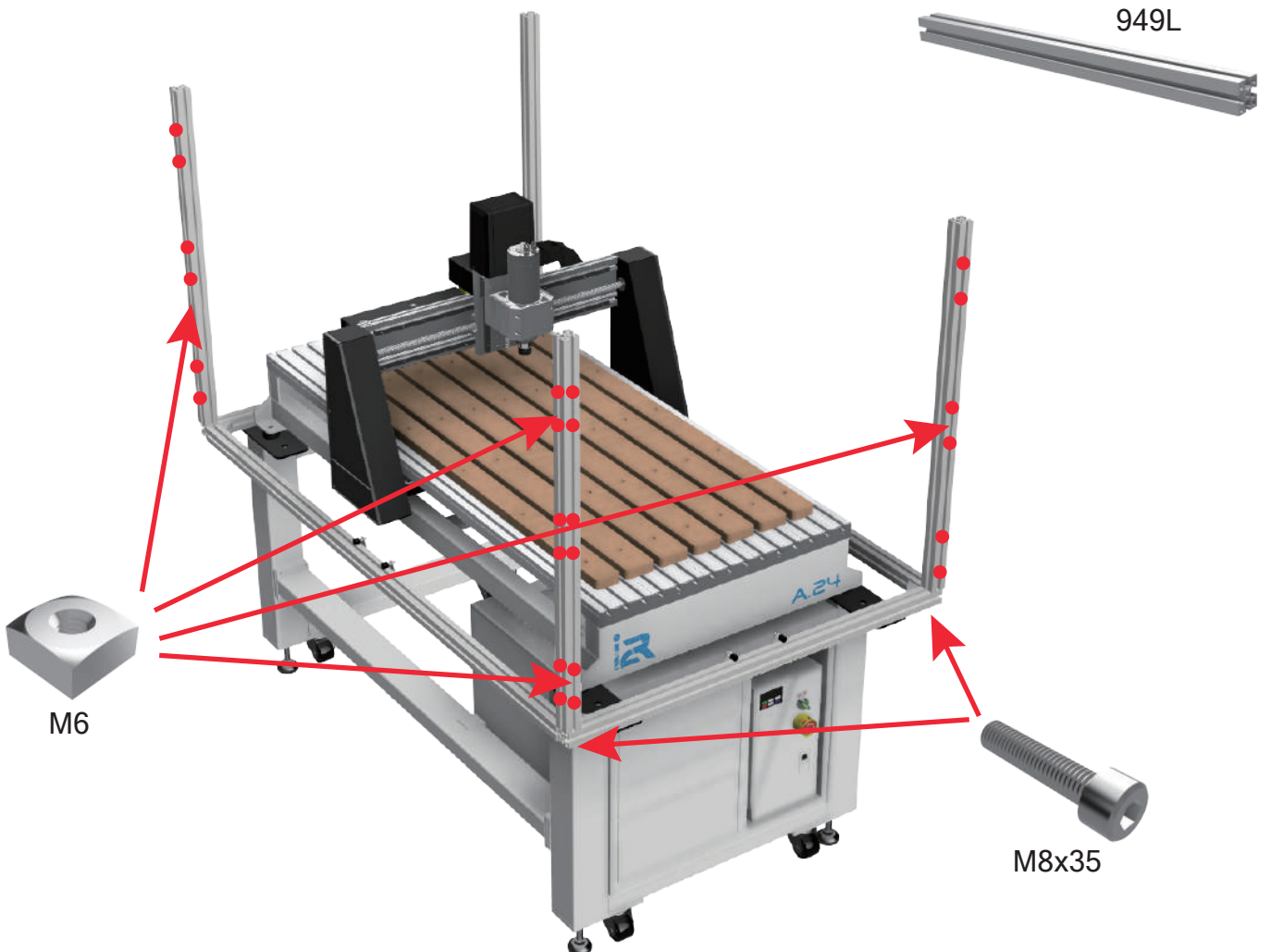
M6



5



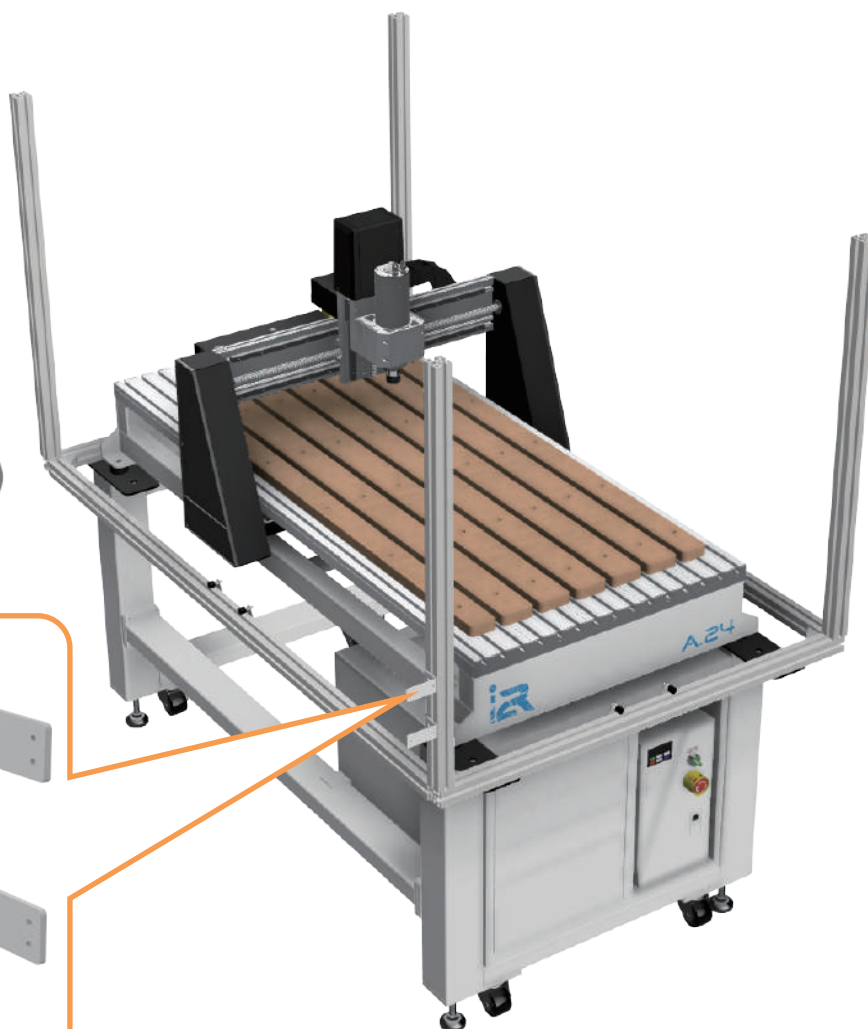
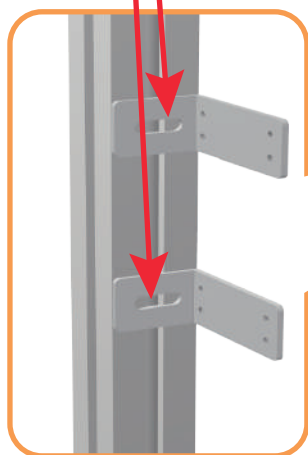
6



7



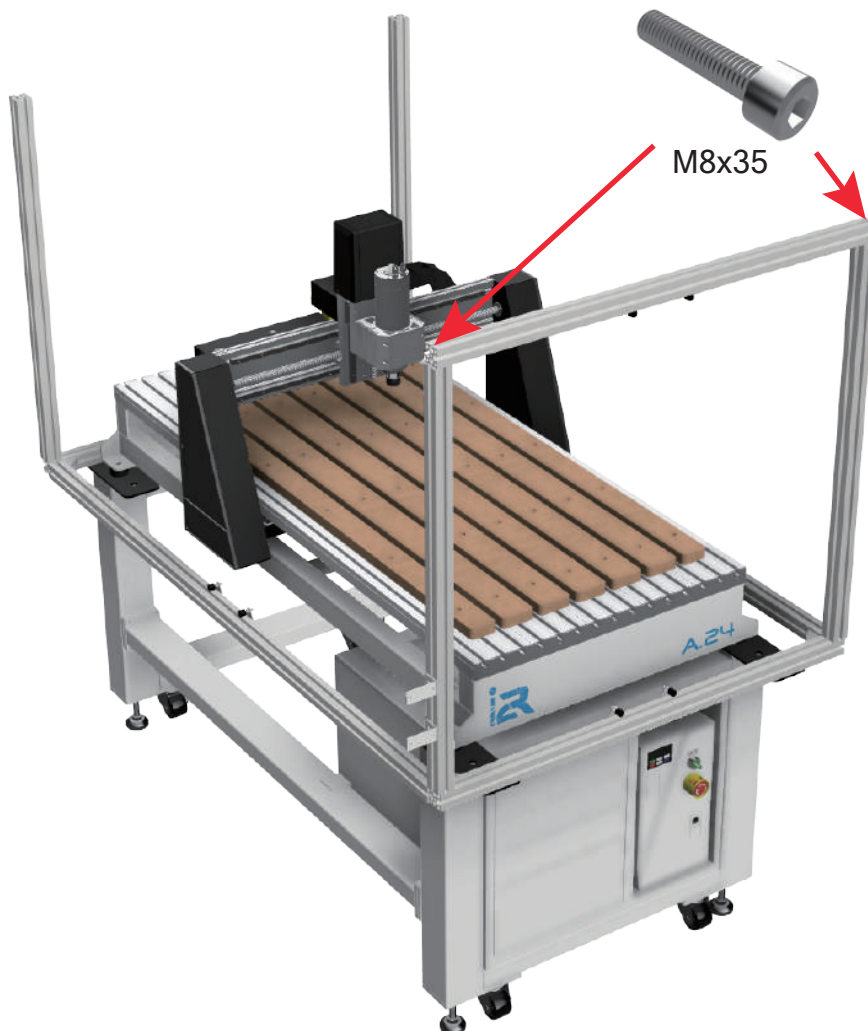
M6x16



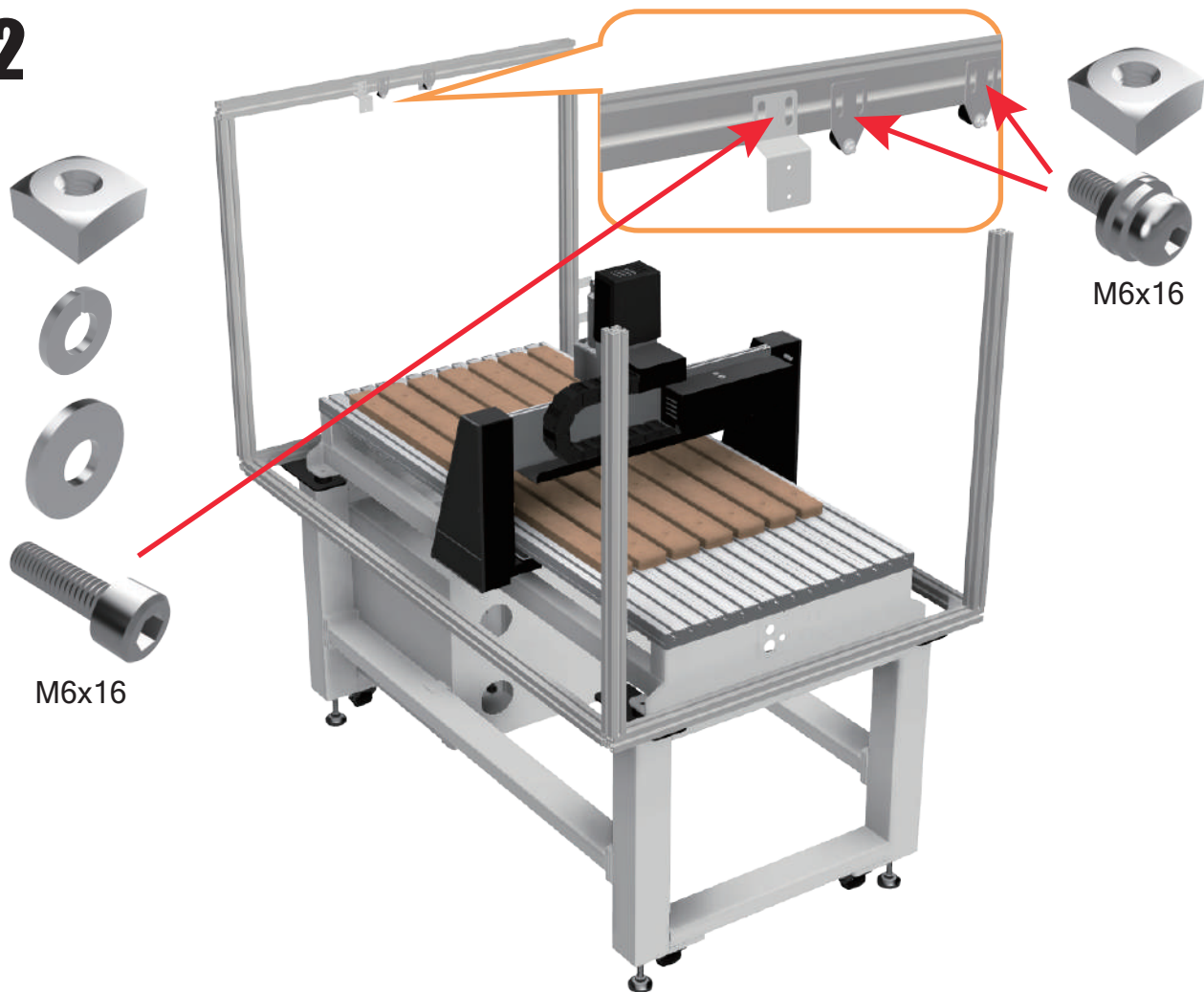
8-1



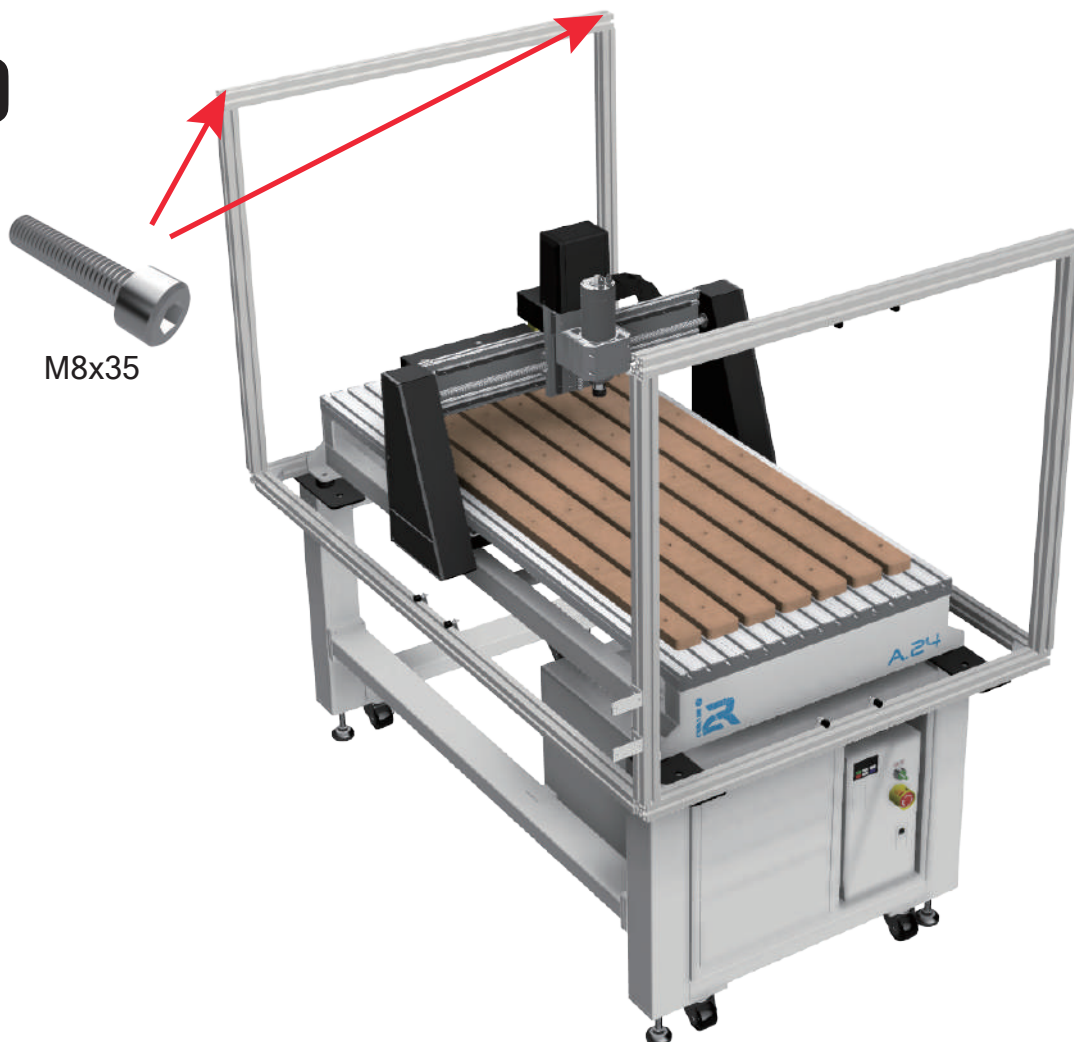
M8x35



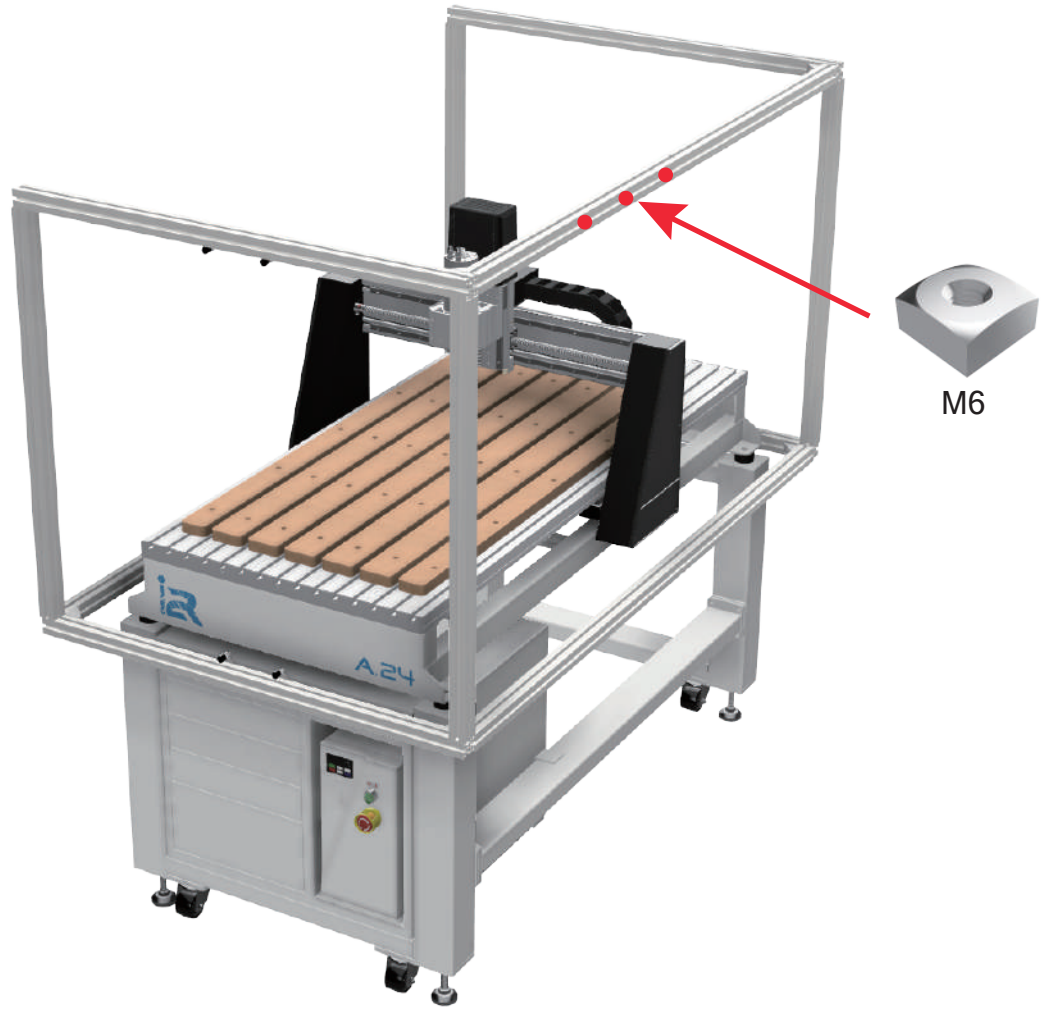
# 8-2



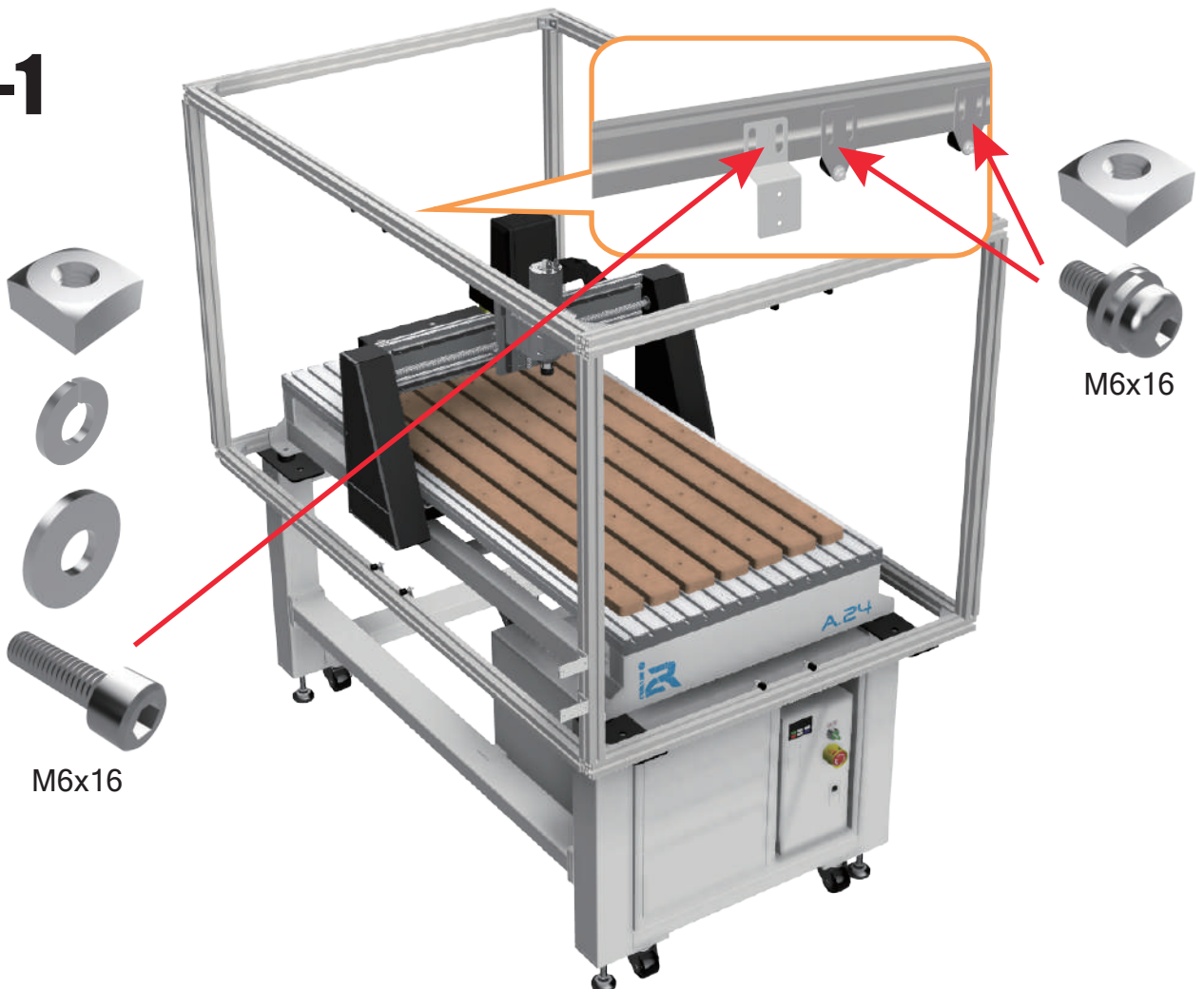
# 9



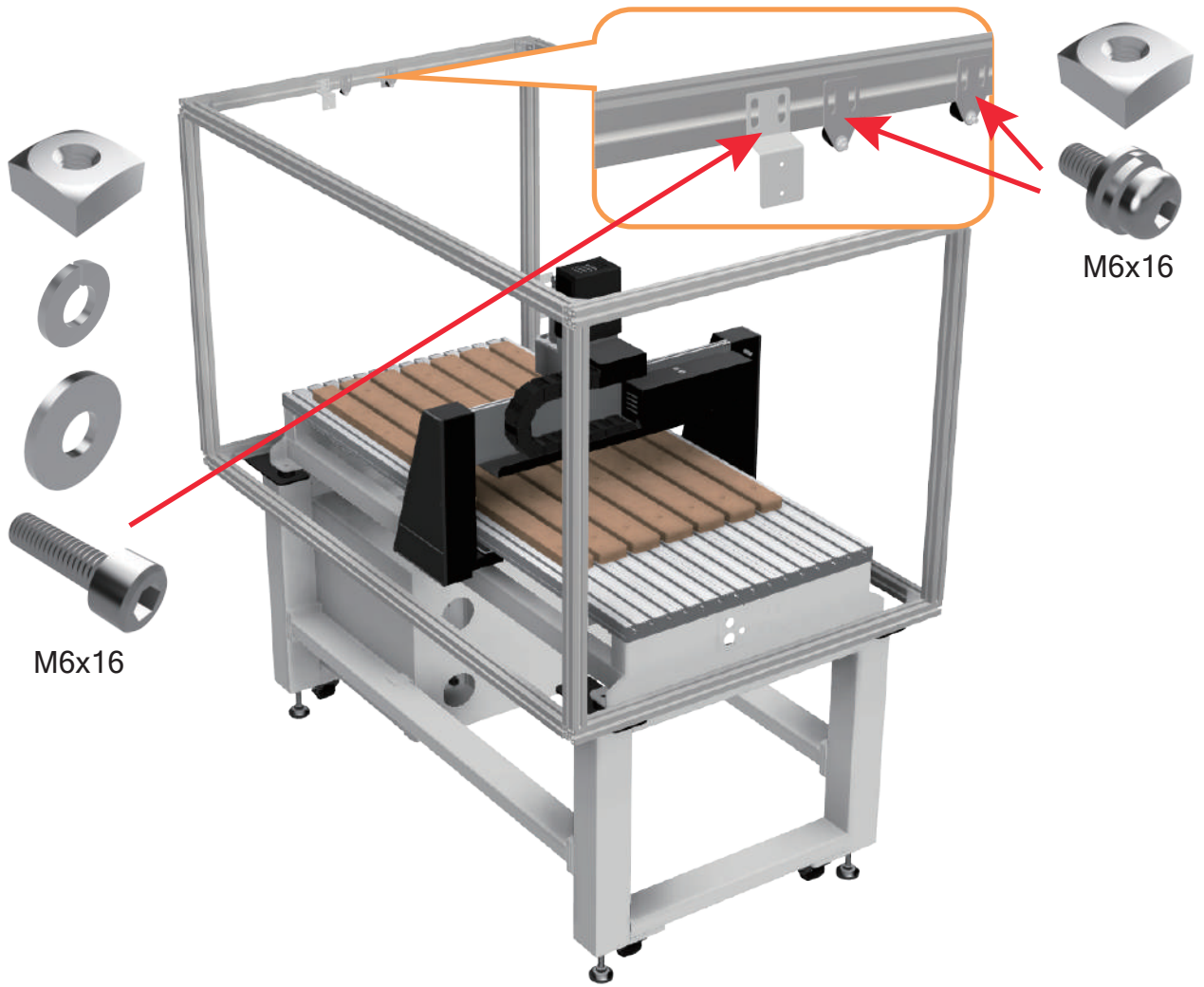
10



11-1

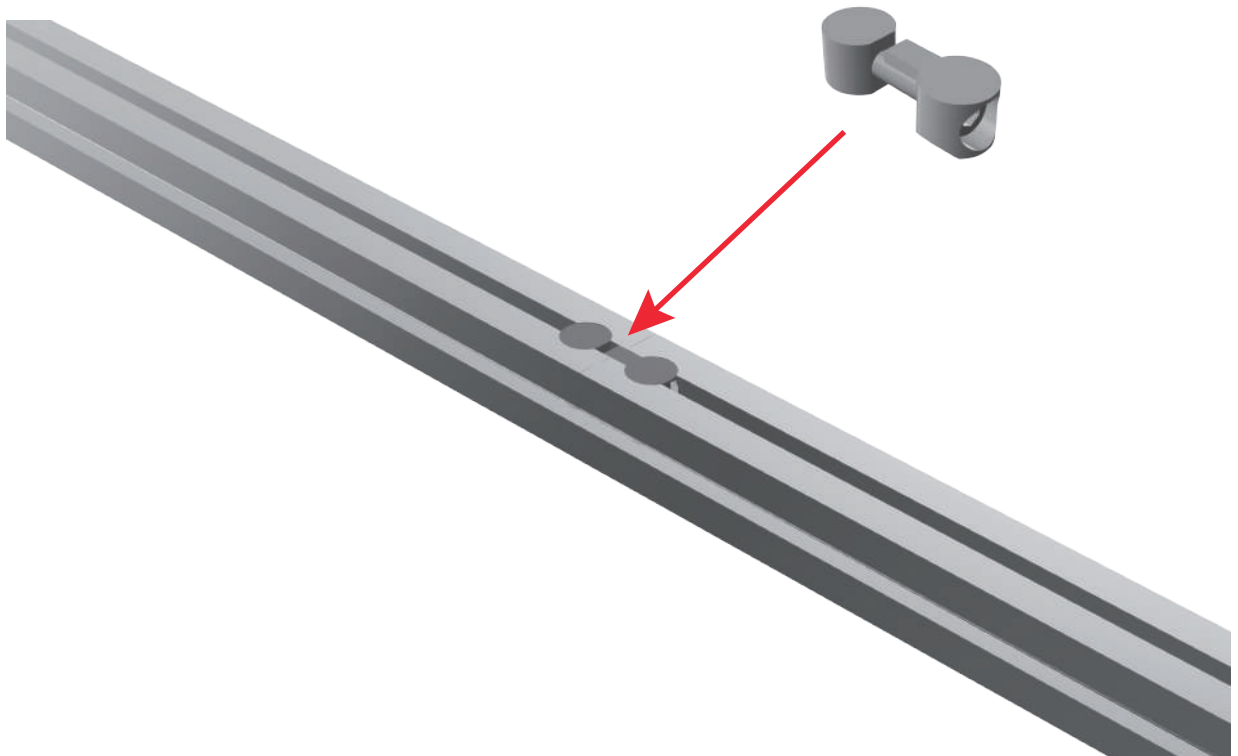


# 11-2

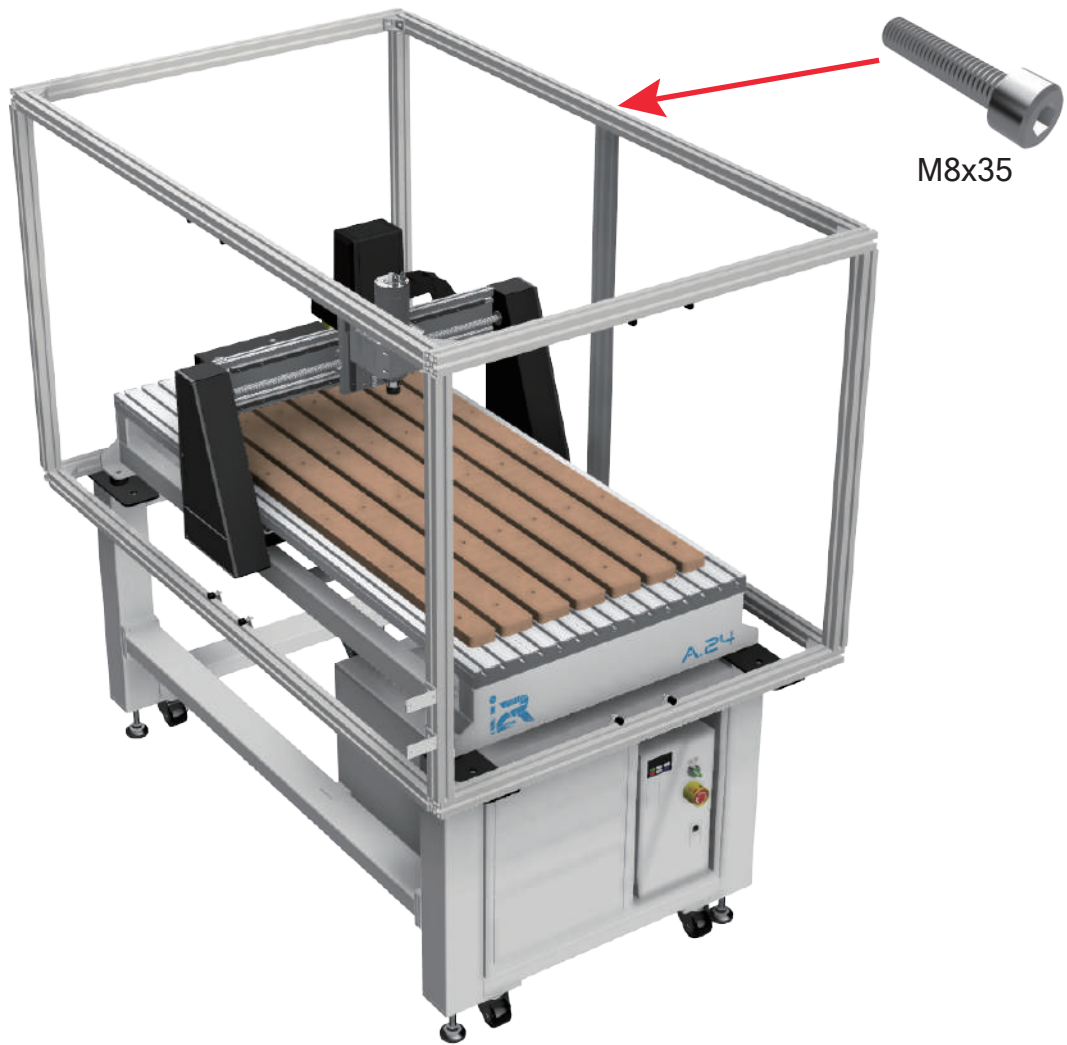


---

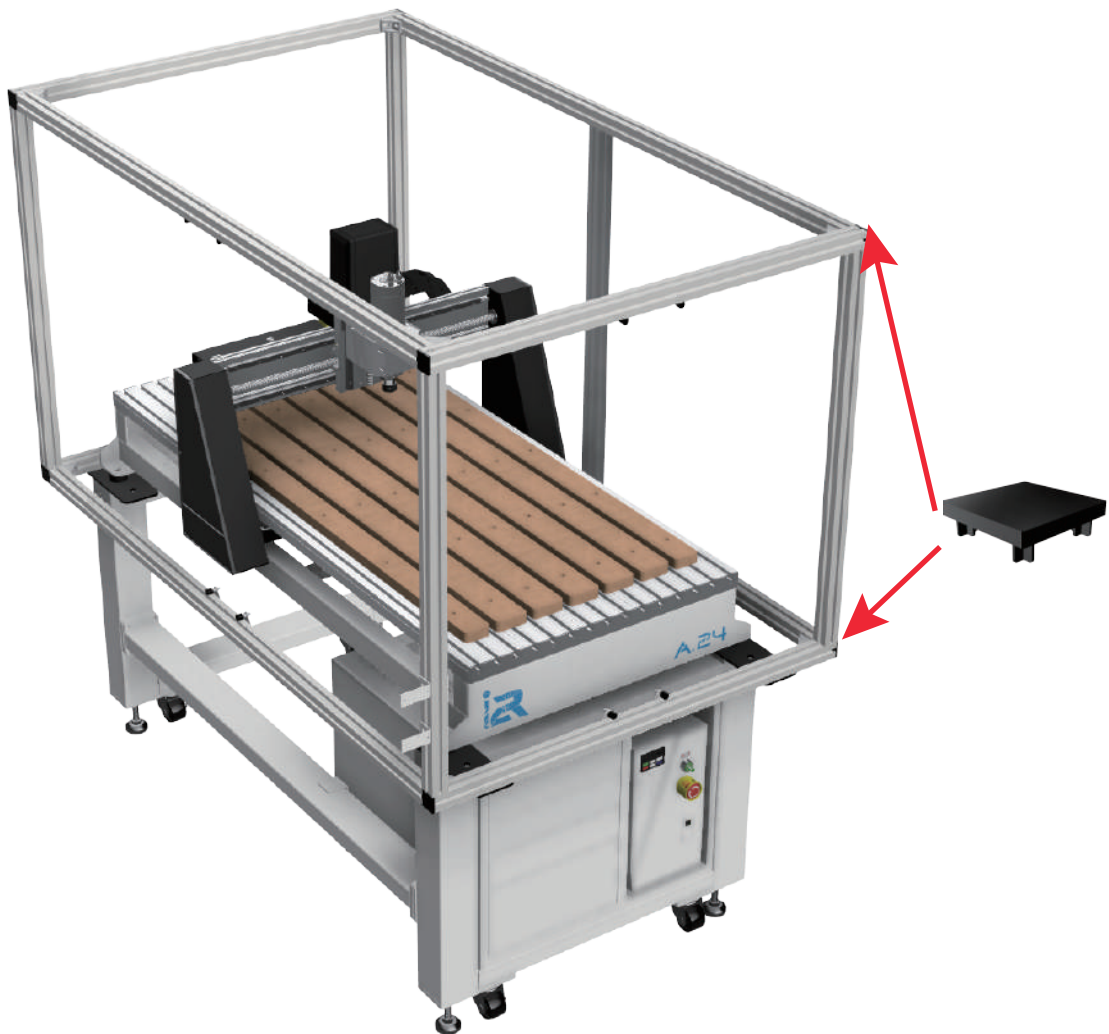
# 12-1



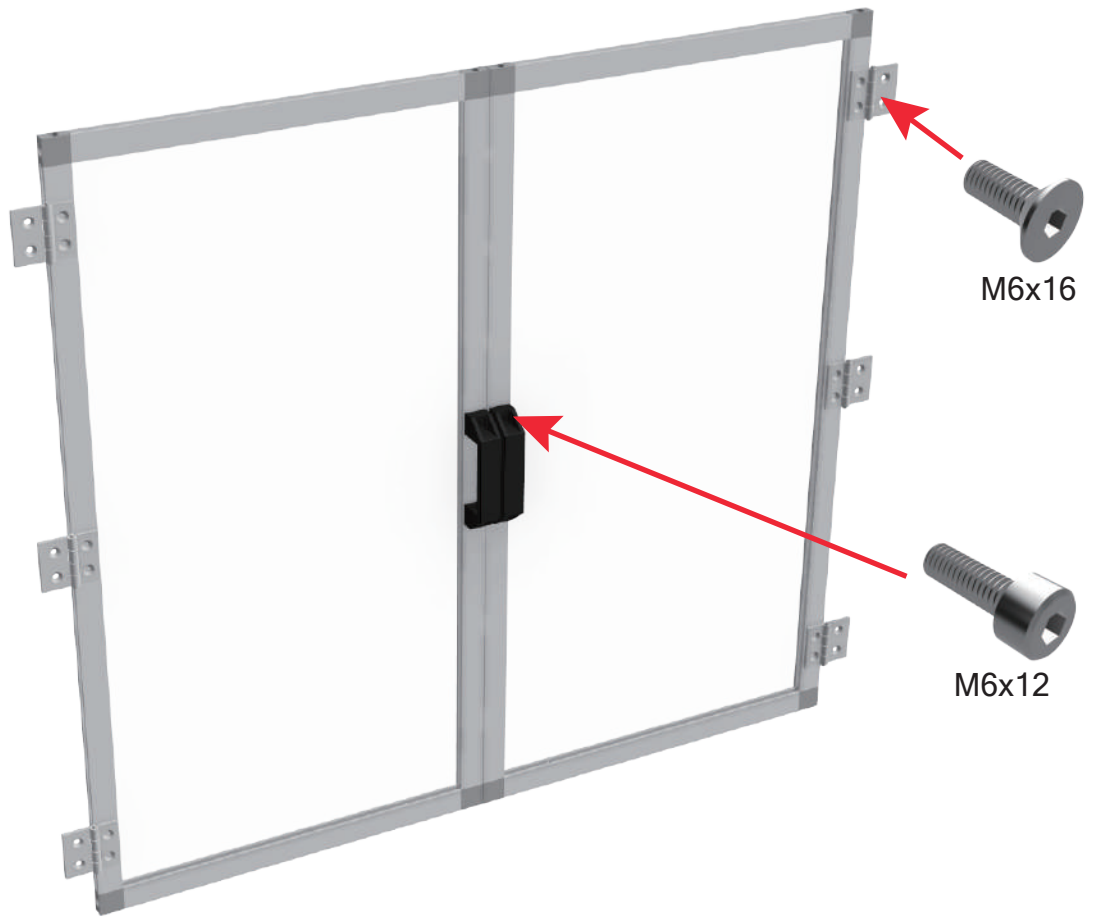
**12-2**



**13**

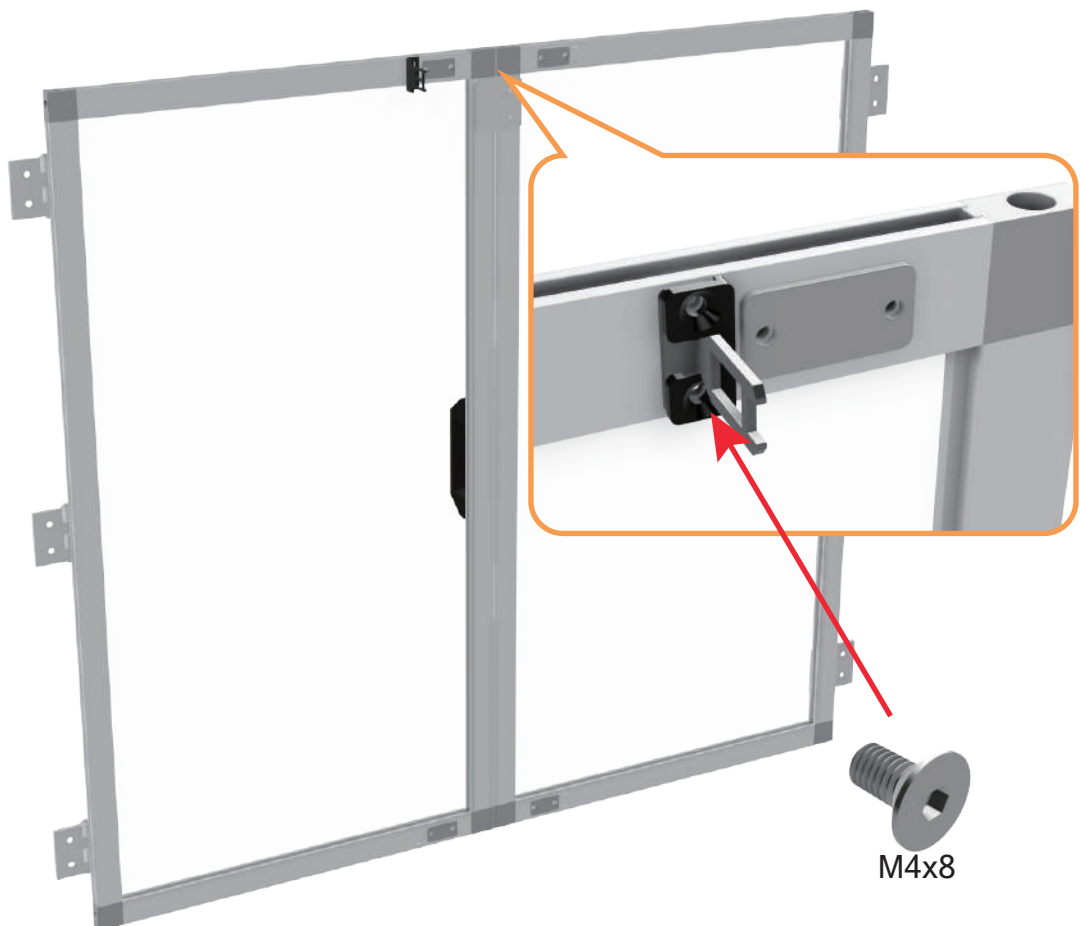


# 14-1

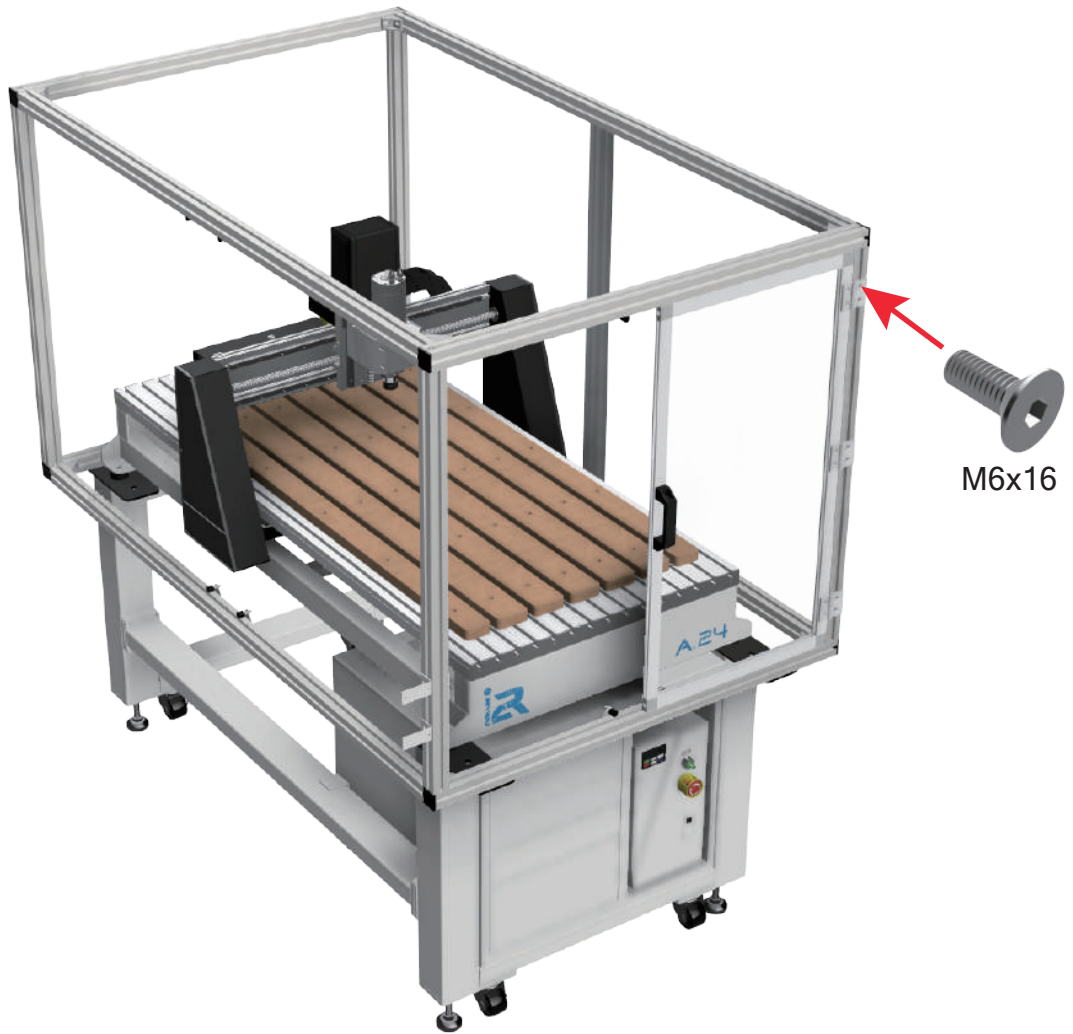


---

# 14-2

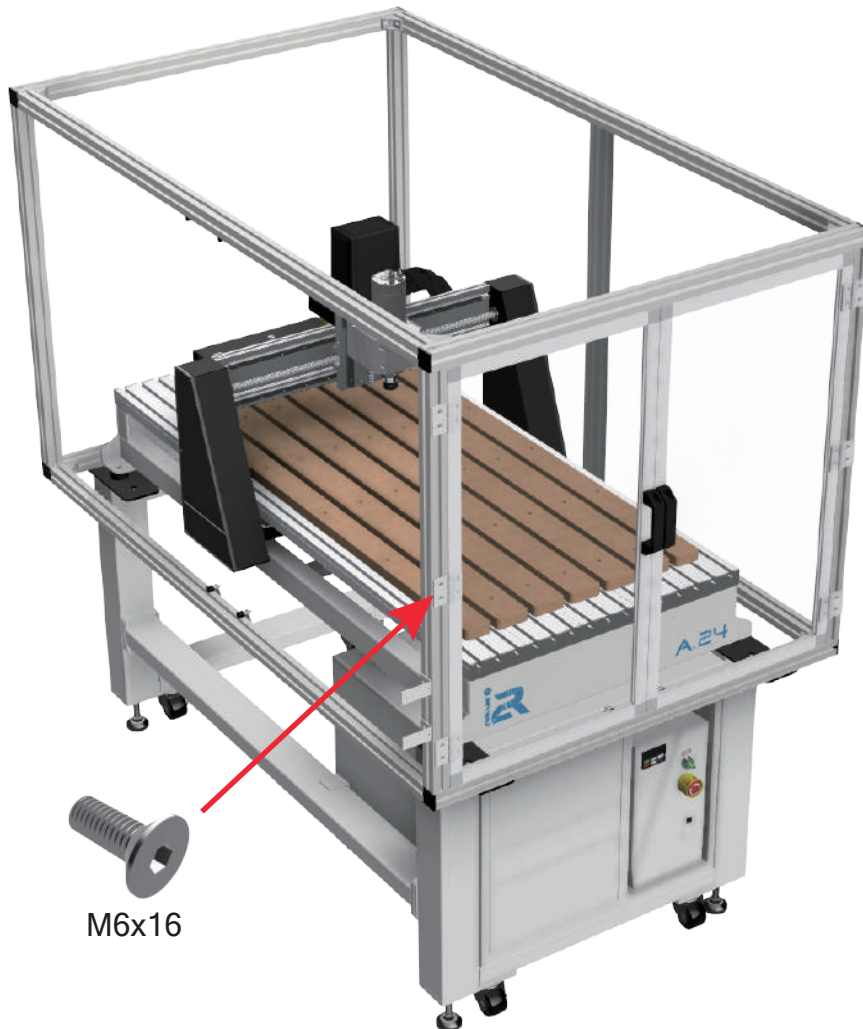


# 15-1

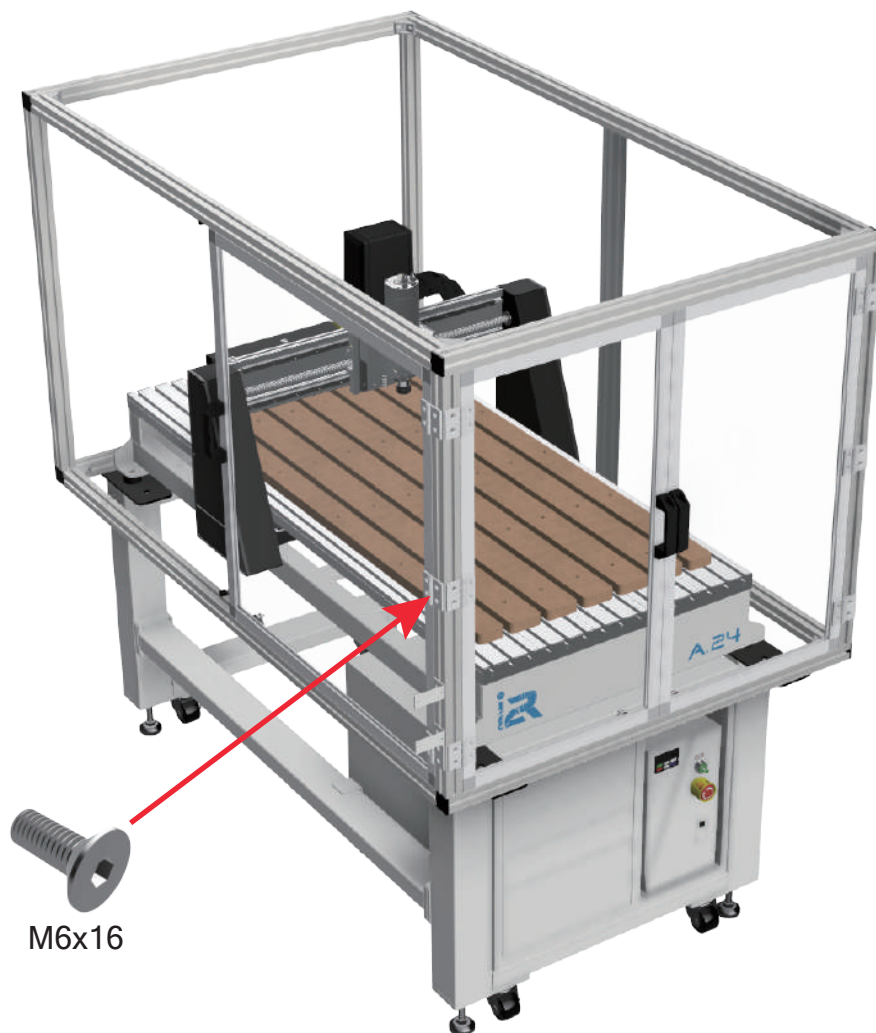


---

# 15-2

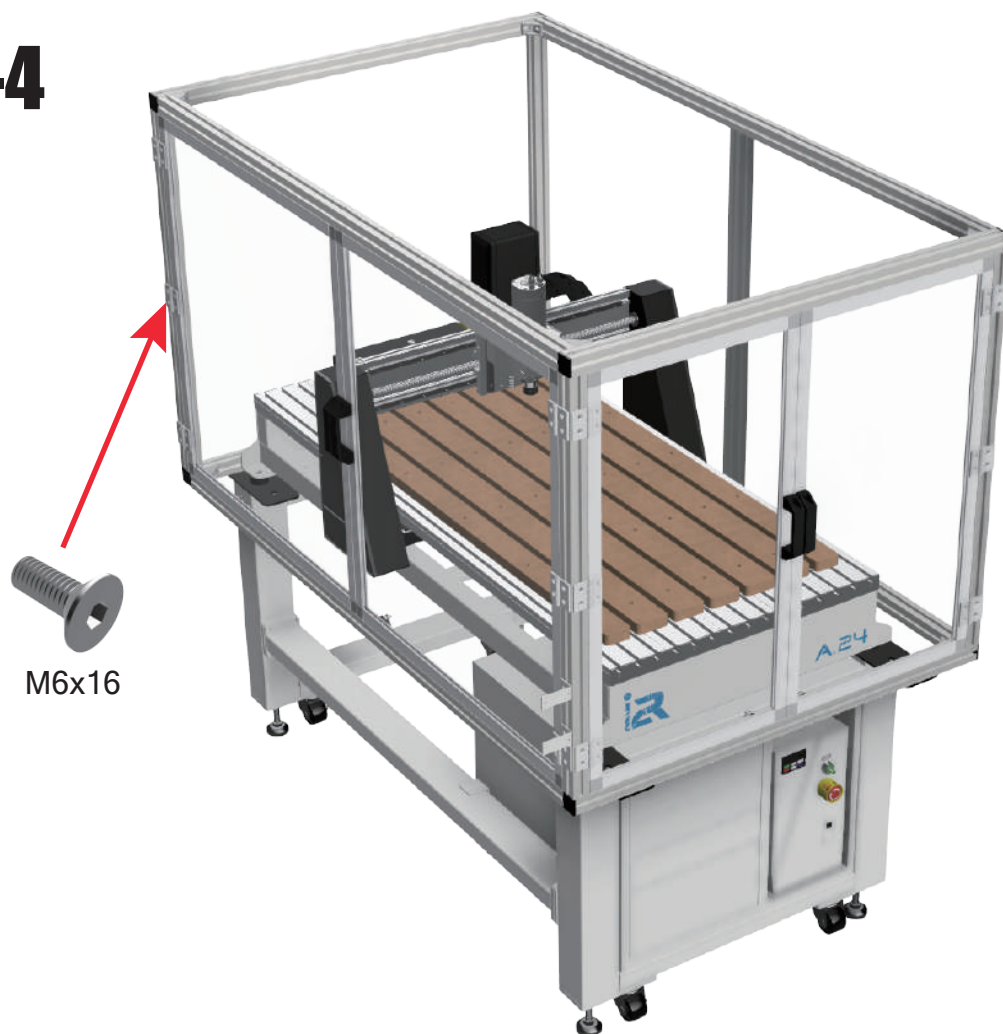


# 15-3

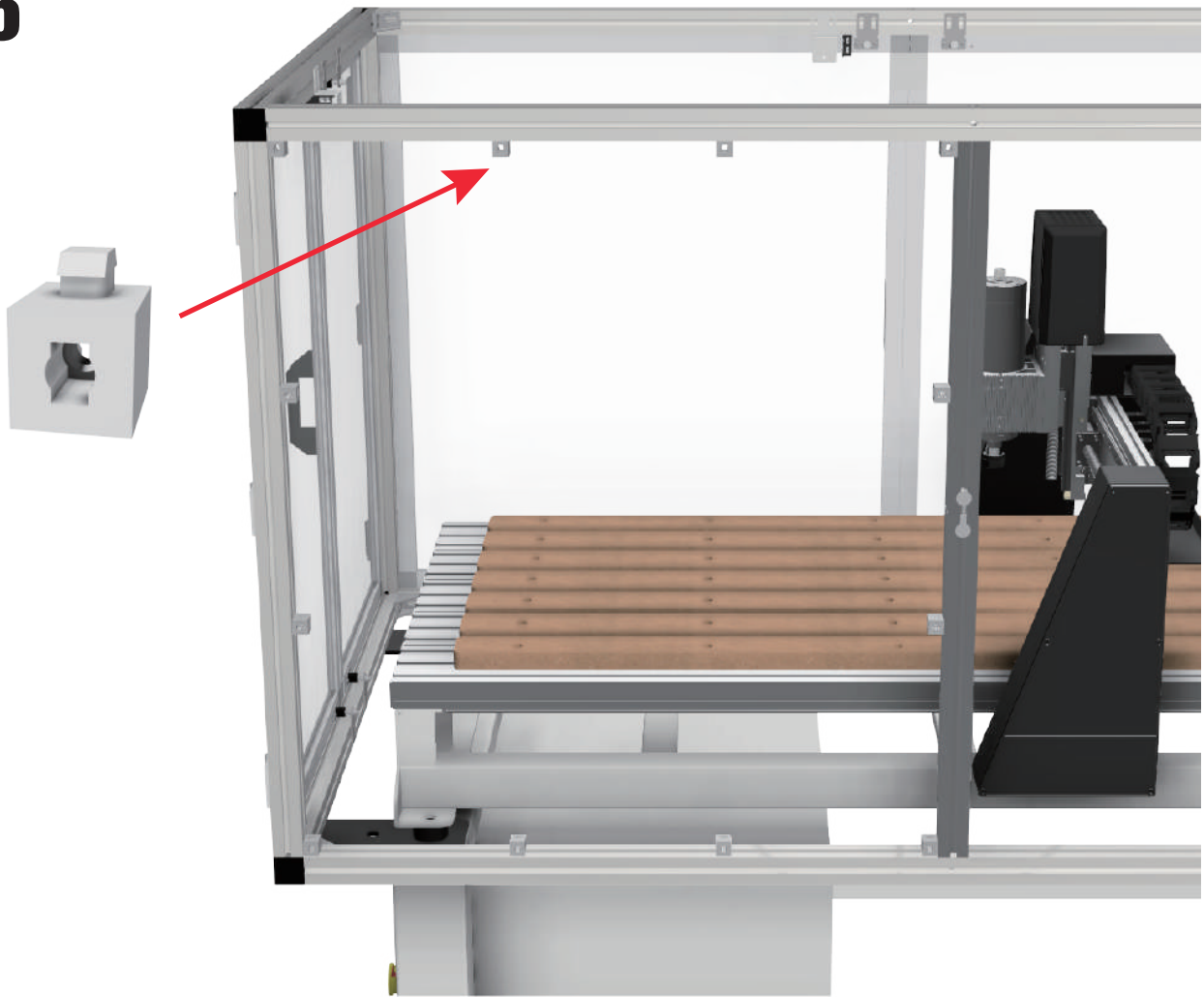


---

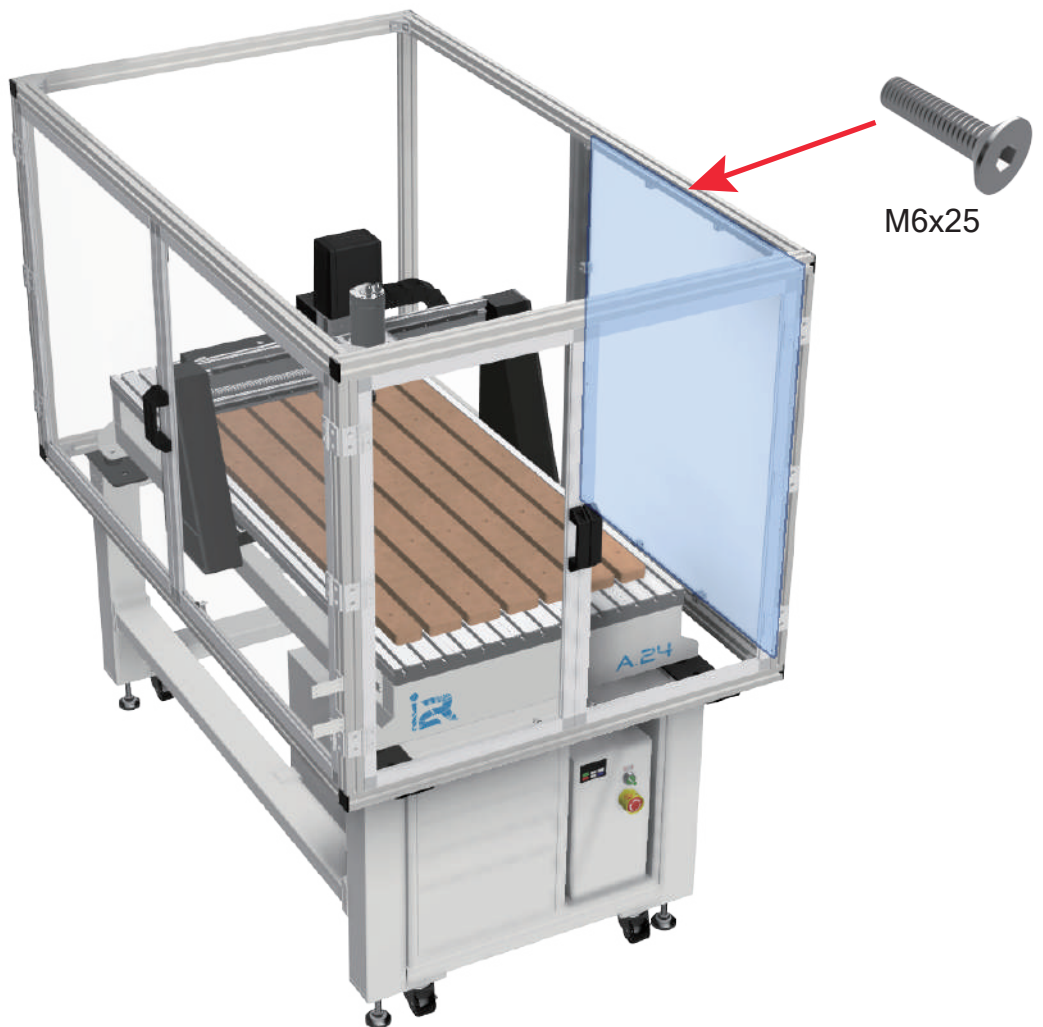
# 15-4



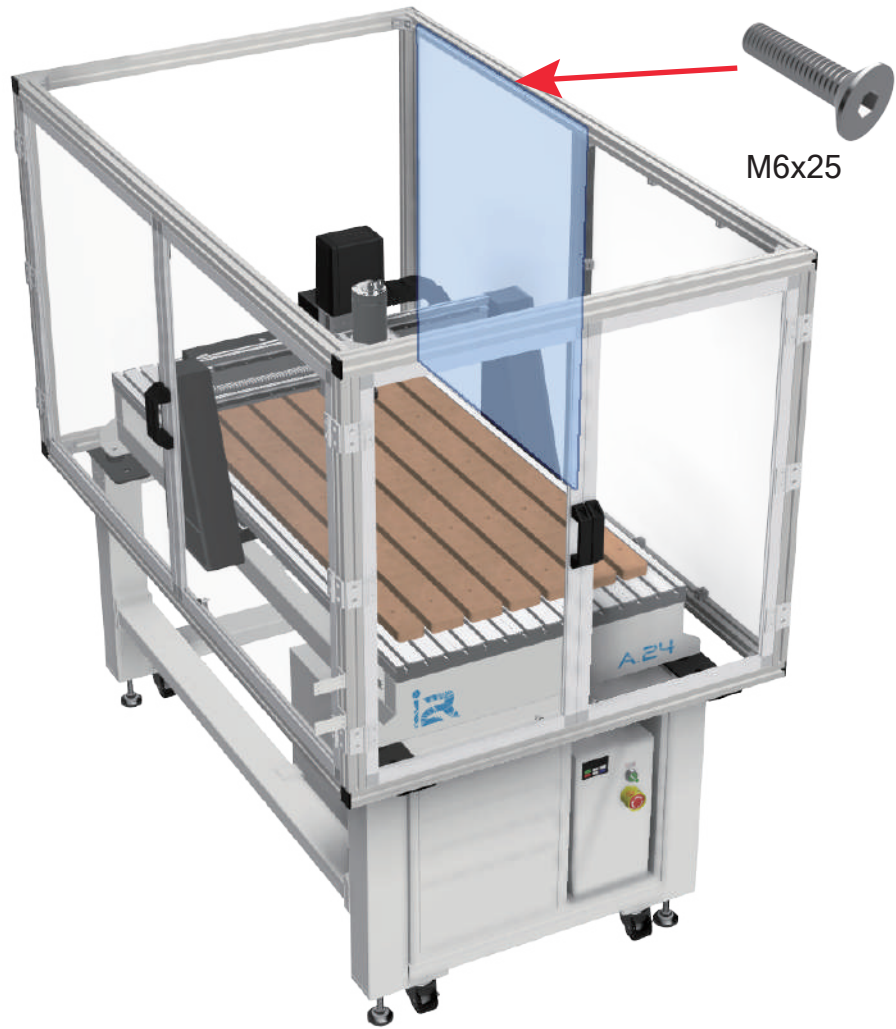
16



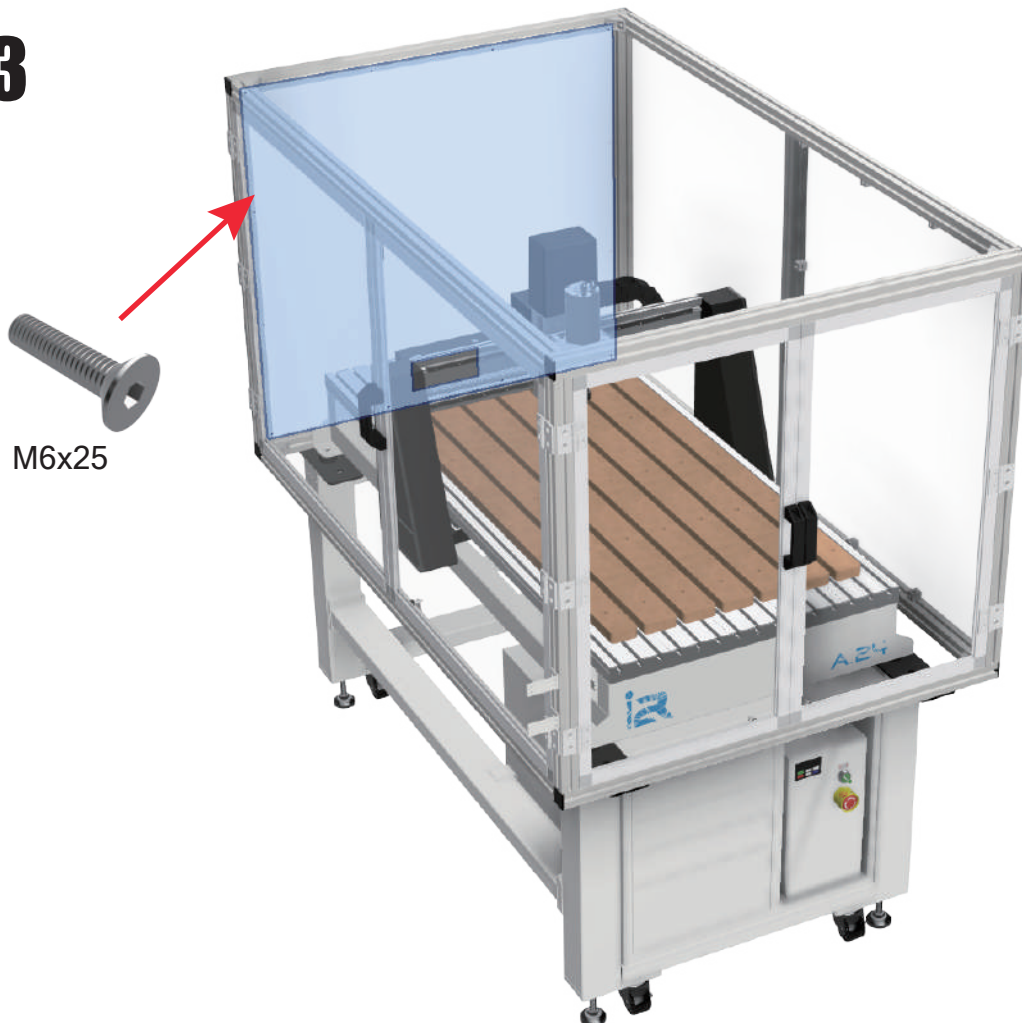
17-1



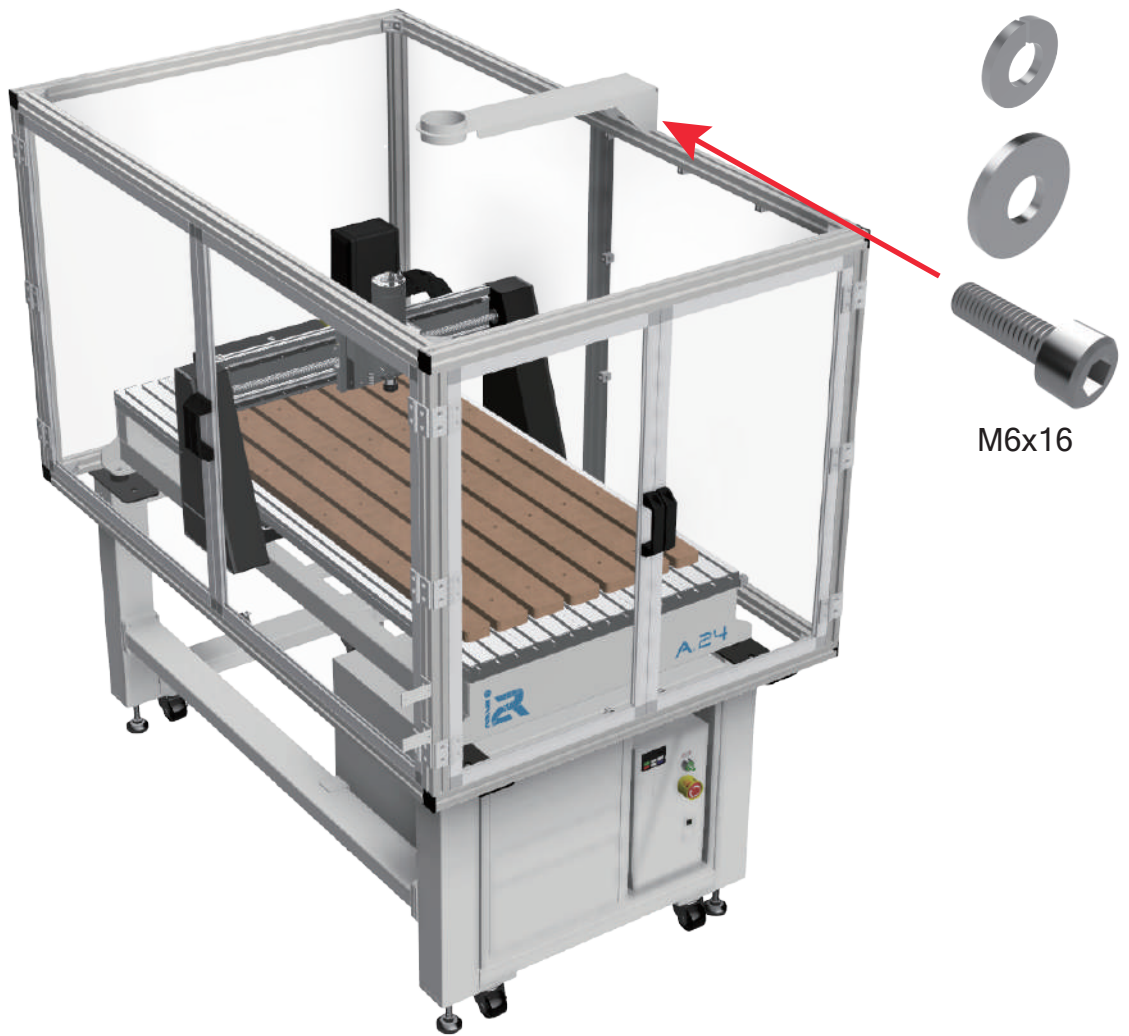
**17-2**



**17-3**



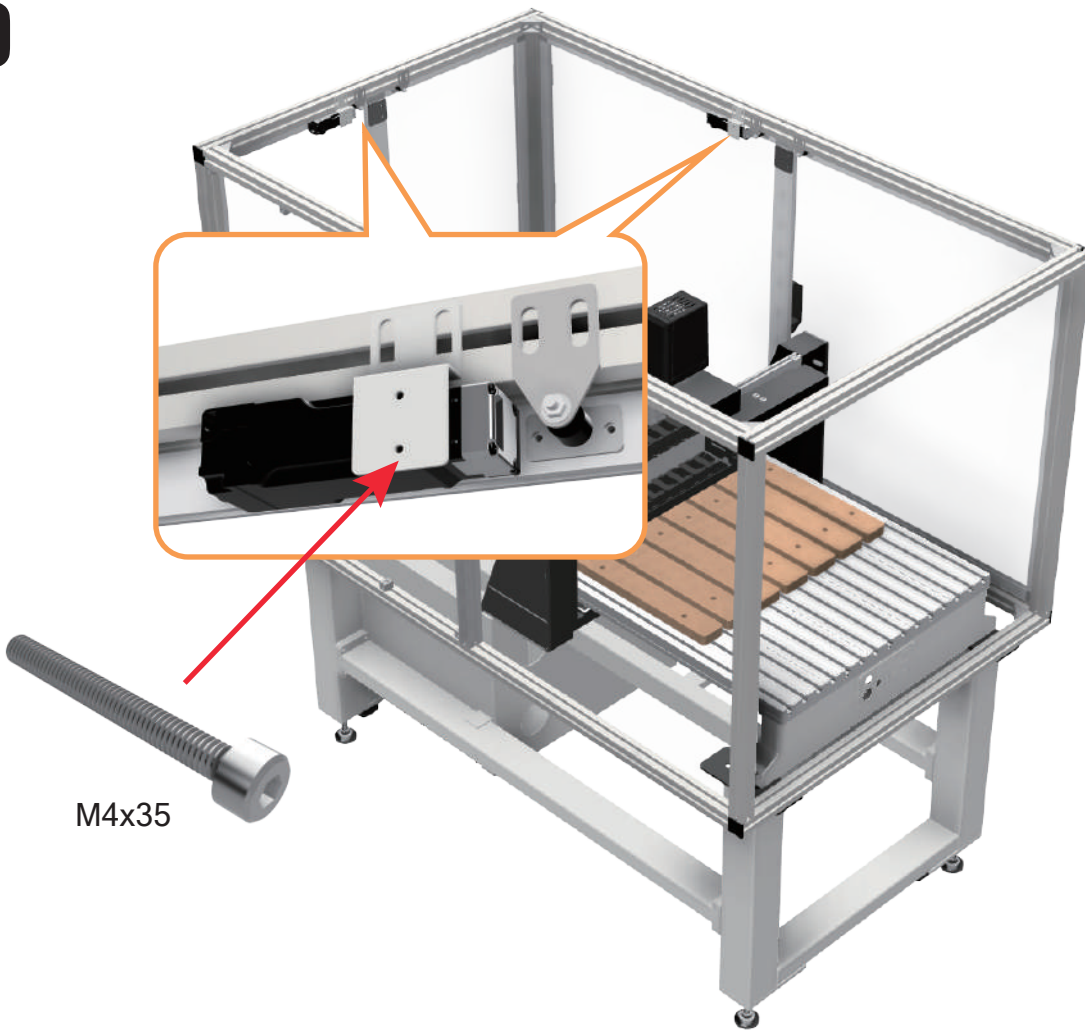
18



19



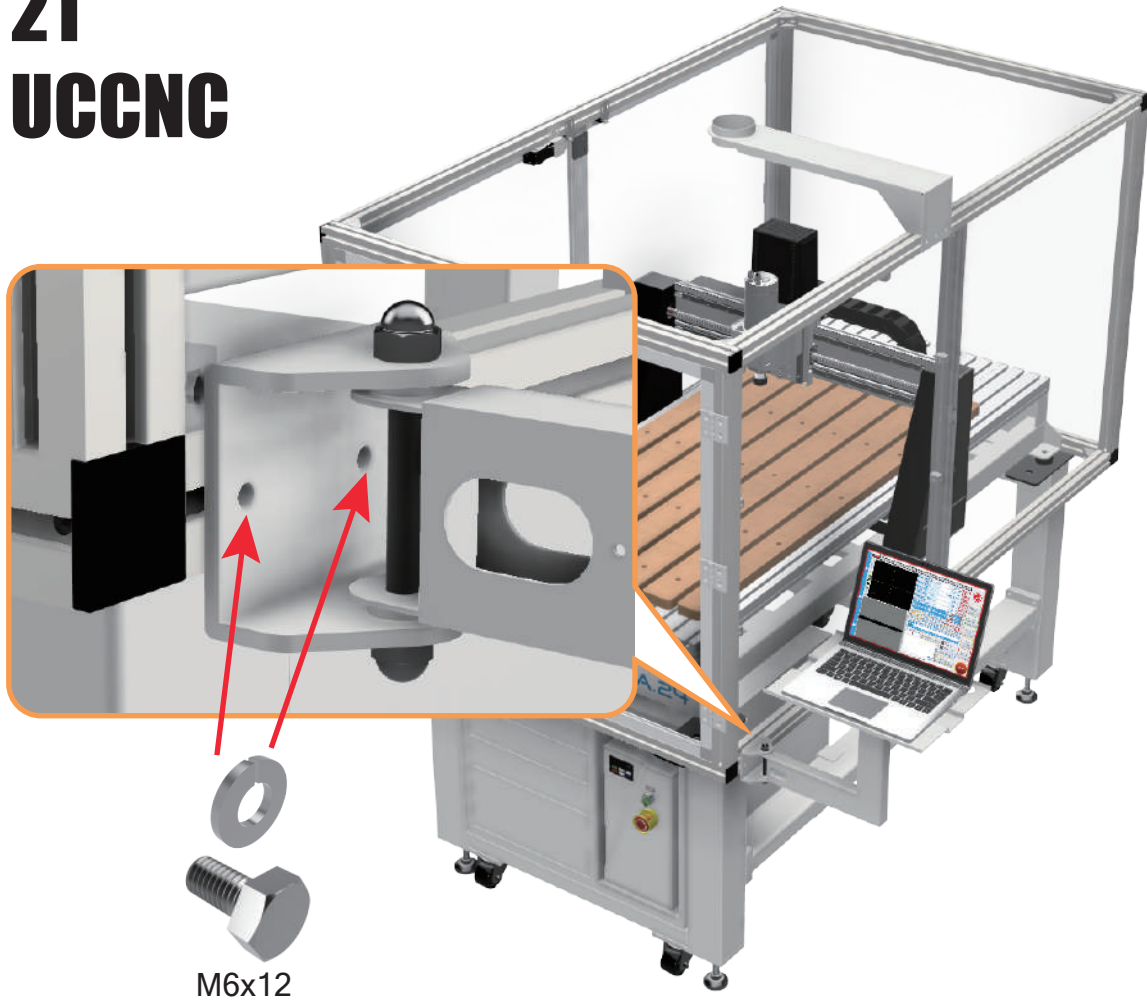
20



M4x35



# 21 UCCNC



---

# iCNC

